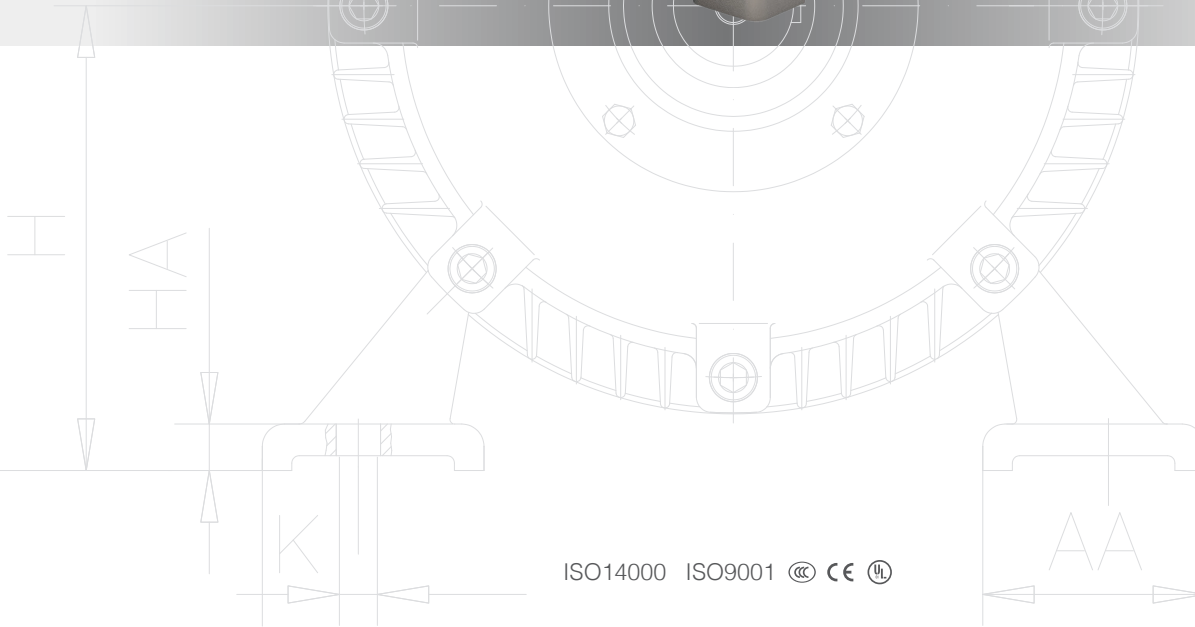
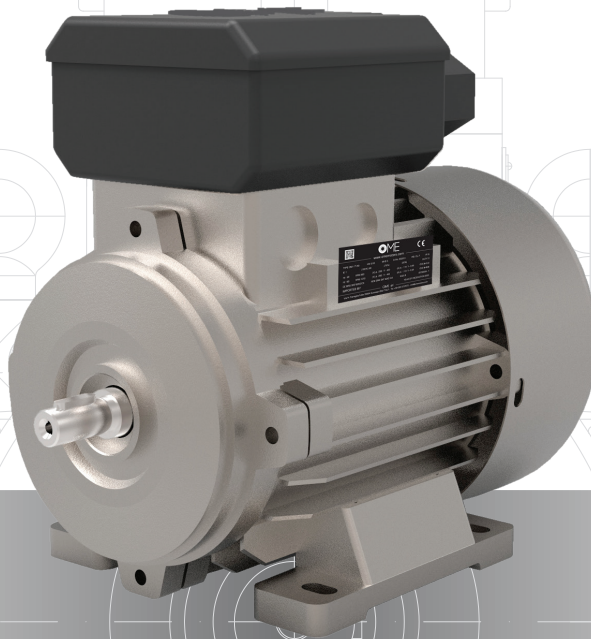




OMM1 SERIES
SINGLE PHASE ELECTRIC MOTOR

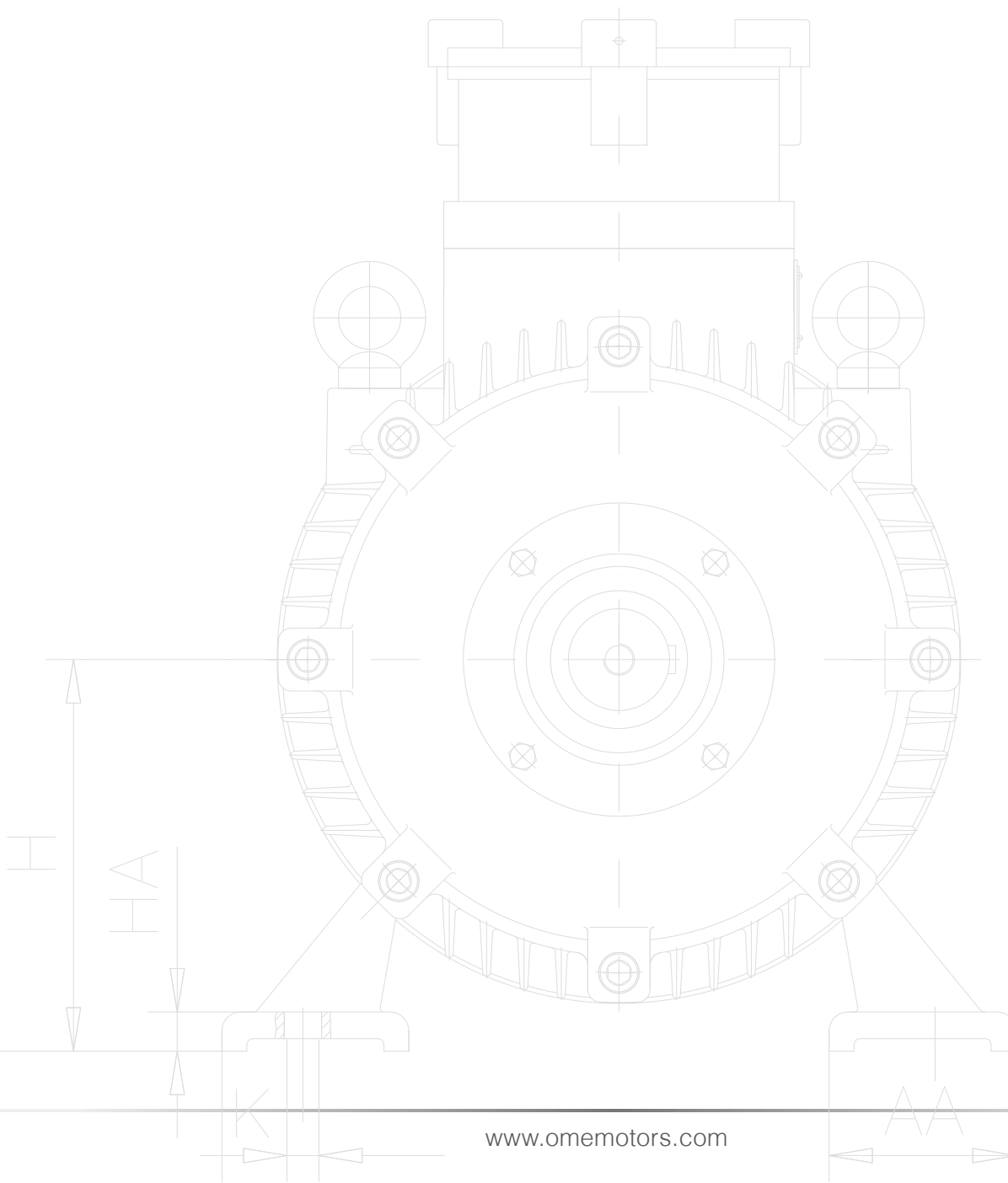
www.omemotors.com





GENERAL INFORMATION

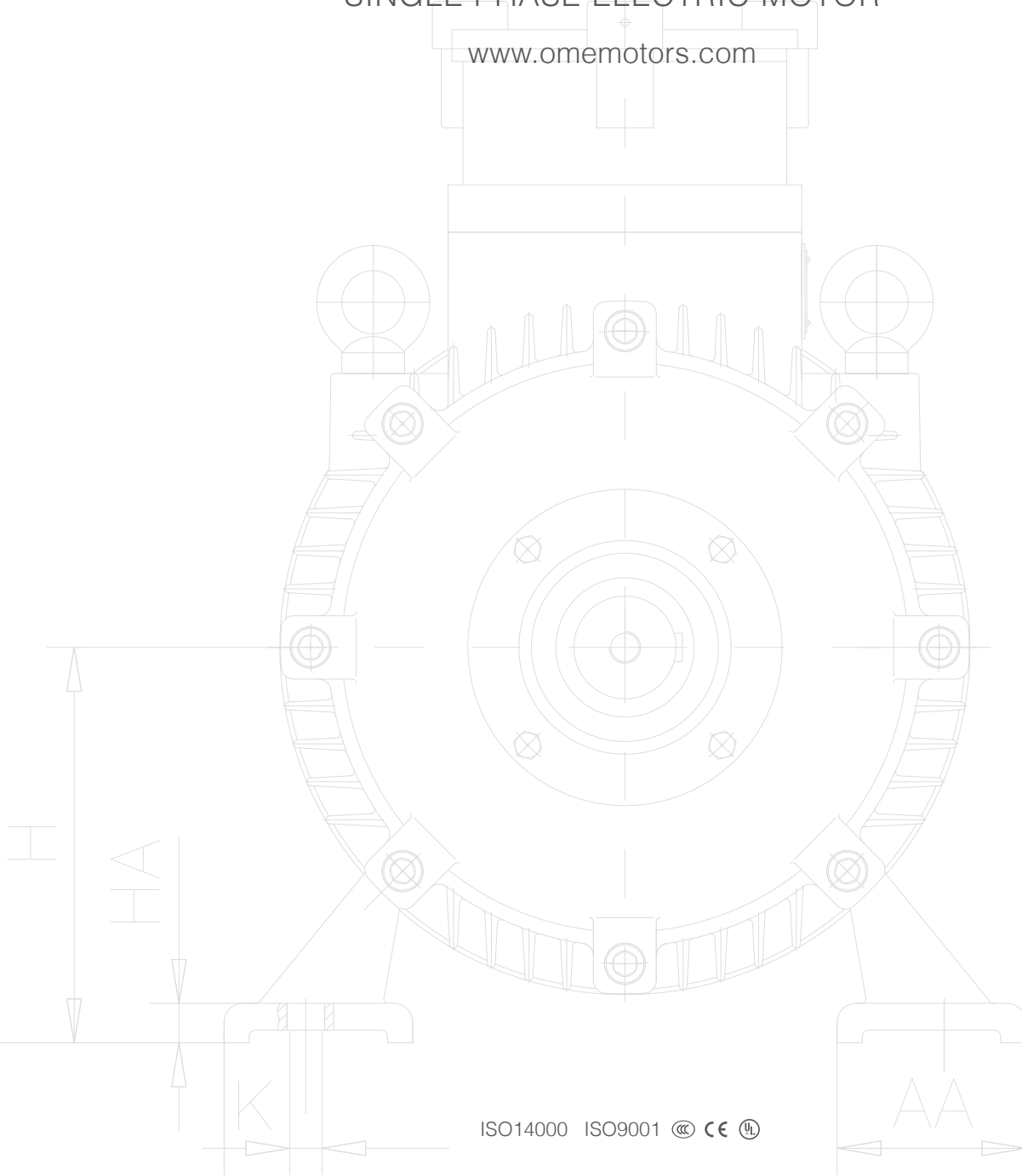
OME Electric Motors Information	01
OMM1 Single Phase Series Introduction	04
Technical Data	05
Overall Dimension	06





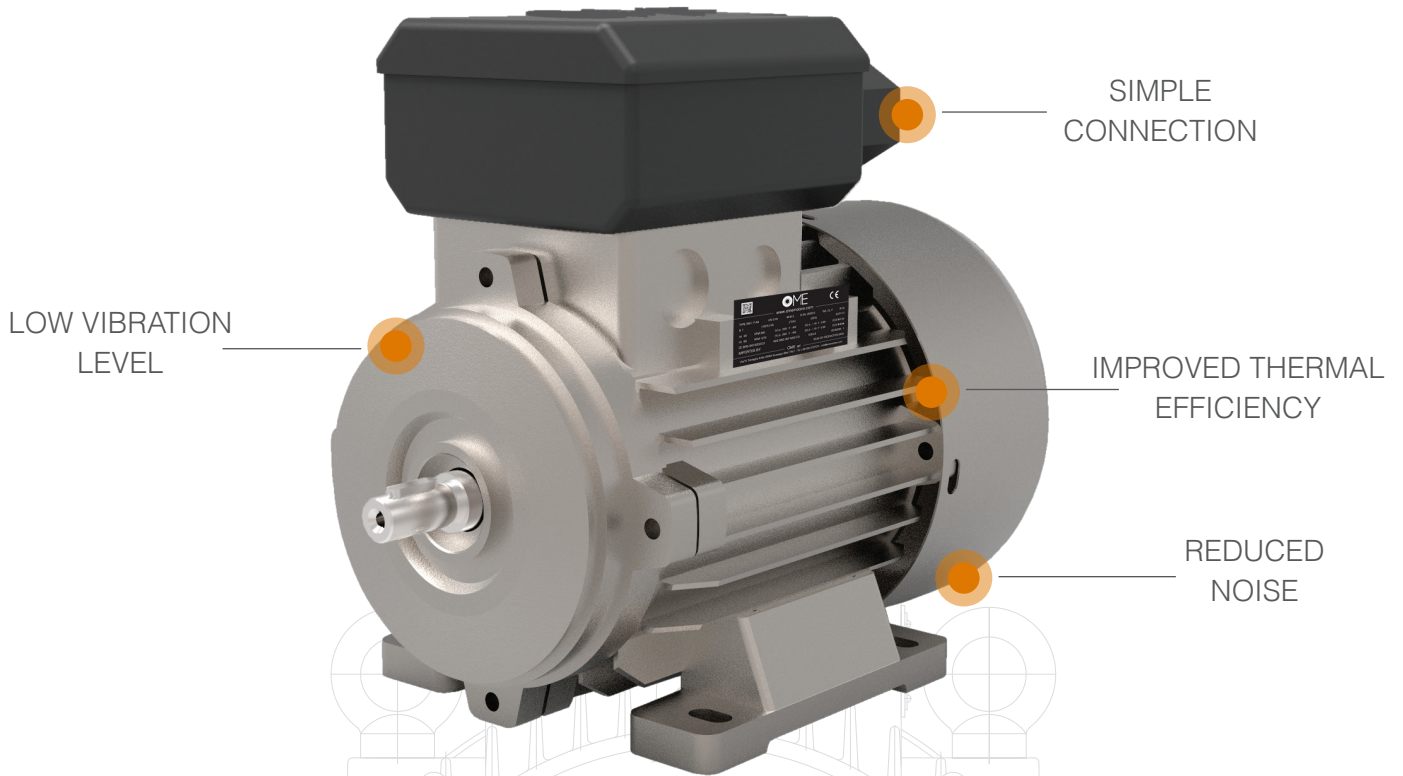
OMM1 SERIES
SINGLE PHASE ELECTRIC MOTOR

www.omemotors.com





OMM1 SERIES SINGLE PHASE ELECTRIC MOTOR



High Performance • Energy Saving

- Single phase motors designed and manufactured by OME are motors that offer high efficiency and at the same time effective energy savings, in line with environmental regulations.

- OME high efficiency motors ensure significant optimisation of energy consumption, safeguarding the environment and ensuring substantial savings in operating costs.

OME Electric Motors

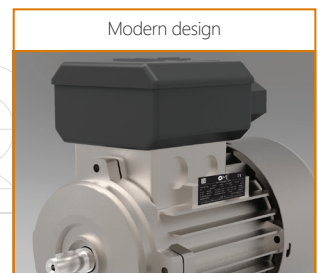
OME Single Phase motors are suitable for all industrial sectors and applications, complying with national and international mandatory efficiency rules.

OME's motors help our customers increase their productivity, save energy, improve quality and generate power.

- High quality components including superior copper, metal cable glands and SKF bearings. Thanks to their high quality, OME electric motors are perfectly suitable for heavy duty applications, with Long lasting performances.



- OME also pays exceptional care and to the design attention of its electric motors. This increase the cooling efficiency and also the looking of the product.



- Customized packaging that provides increased protection during transport and an easier handling.



OME Electric Motors and Orsatti Group

OME is a well-established global reality born from the Orsatti family's long experience in the electrical machinery sector and characterized by a history in continuous evolution.

The key points that distinguish the Orsatti Group are in particular:

- Technical experience of over 50 years
- The continuous research for new solutions to increase the performance of our electric motors
- Development of technical solutions in compliance with current standards
- The tailor-made service to customize the motors on customer request
- The wide range of production to meet any market need
- The constant research for suitable solutions to increase the efficiency of our electric motors
- Compliance with the standards required for energy saving and environmental protection

MISSION

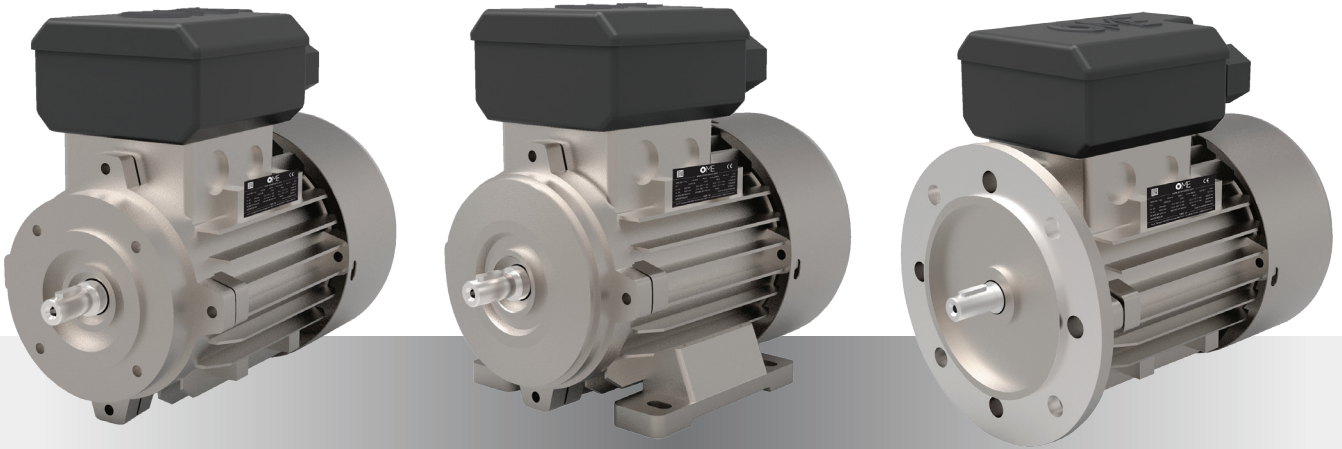
Our mission is to be a leading company in the production of electric motors at an international level.

VISION

Our vision is to design and manufacture highly customized motors, meeting the most varied customer requirements, managing to make competitive even the smallest realities.

VALUES

- The high quality of production, sales, service and maintenance;
- Intelligent and low costs logistics;
- Providing motors, services and expertise to save energy and improve customer processes throughout the life cycle of our products and beyond.



Series OMM1

SINGLE PHASE ELECTRIC MOTOR

Introduction:

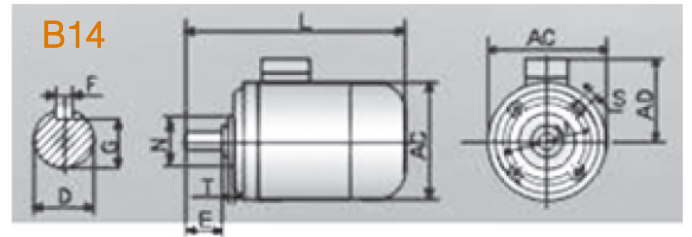
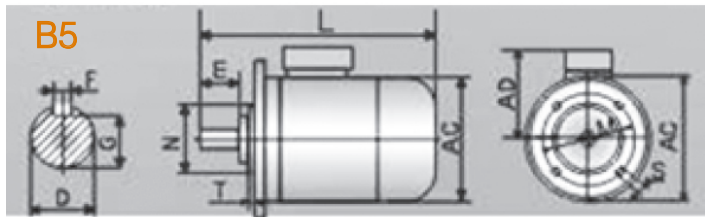
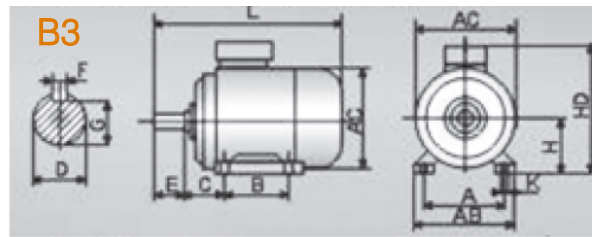
OMM1 Series Aluminum housing single phase capacitor-run asynchronous motors are adopted the newest international design with the high quality of materials, which can meet the relative standards of IEC. OMM1 series of motors has following features: good performance, safe and reliable operation, nice appearance, convenient maintenance, low noise, slight vibration, light weight and simple structure.

This series of motors with one capacitor can be used on household appliance, pumps, fans and recording meters, etc.



OMM1 SERIES TECHNICAL DATA (V.220 HZ.50)

Model	Output		Current (A)	Power Factor	Eff (%)	Speed (r/min)	Tstait/Tn	Ist/In	Tmax/Tn
	KW	HP							
OMM1 56A2	0.09	0.12	0.77	0.92	58	2730	0.55	4.5	1.7
OMM1 56B2	0.12	0.16	0.96	0.92	62	2730	0.55	4.5	1.7
OMM1 63A2	0.18	0.24	1.35	0.92	66	2740	0.50	4.5	1.7
OMM1 63B2	0.25	0.33	1.84	0.92	67	2740	0.50	4.5	1.7
OMM1 71A2	0.37	0.5	2.65	0.92	69	2750	0.45	4.5	1.7
OMM1 71B2	0.55	0.75	3.83	0.92	71	2760	0.45	4.5	1.7
OMM1 80A2	0.75	1	5.08	0.92	73	2780	0.40	4.5	1.7
OMM1 80B2	1.1	1.5	7.02	0.95	75	2790	0.40	4.5	1.7
OMM1 90S 2	1.5	2	9.44	0.95	76	2800	0.35	5.0	1.7
OMM1 90L 2	2.2	3	13.7	0.95	77	2800	0.35	5.0	1.7
OMM1 56 A4	0.06	0.08	0.57	0.90	53	1330	0.55	4.5	1.7
OMM1 56 B4	0.09	0.12	0.81	0.90	56	1340	0.55	4.5	1.7
OMM1 63 A4	0.12	0.16	1.01	0.90	60	1350	0.50	4.5	1.7
OMM1 63 B4	0.18	0.24	1.47	0.90	62	1360	0.50	4.5	1.7
OMM1 71 A4	0.25	0.33	1.93	0.92	64	1370	0.45	4.5	1.7
OMM1 71 B4	0.37	0.5	2.77	0.92	66	1370	0.45	4.5	1.7
OMM1 80A4	0.55	0.75	4.00	0.92	68	1380	0.40	4.5	1.7
OMM1 80B4	0.75	1	5.29	0.92	70	1380	0.40	4.5	1.7
OMM1 90S4	1.1	1.5	7.21	0.95	73	1390	0.35	5.0	1.7
OMM1 90L 4	1.5	2	9.57	0.95	75	1400	0.35	5.0	1.7

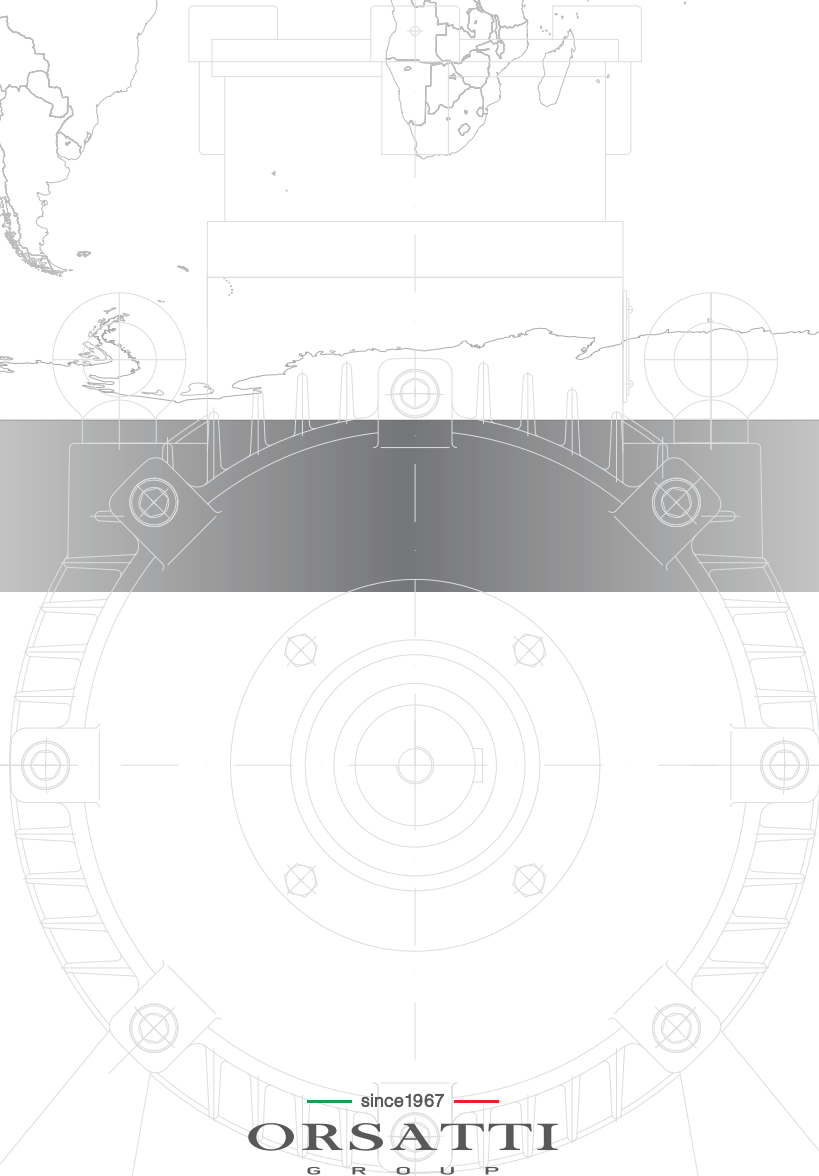
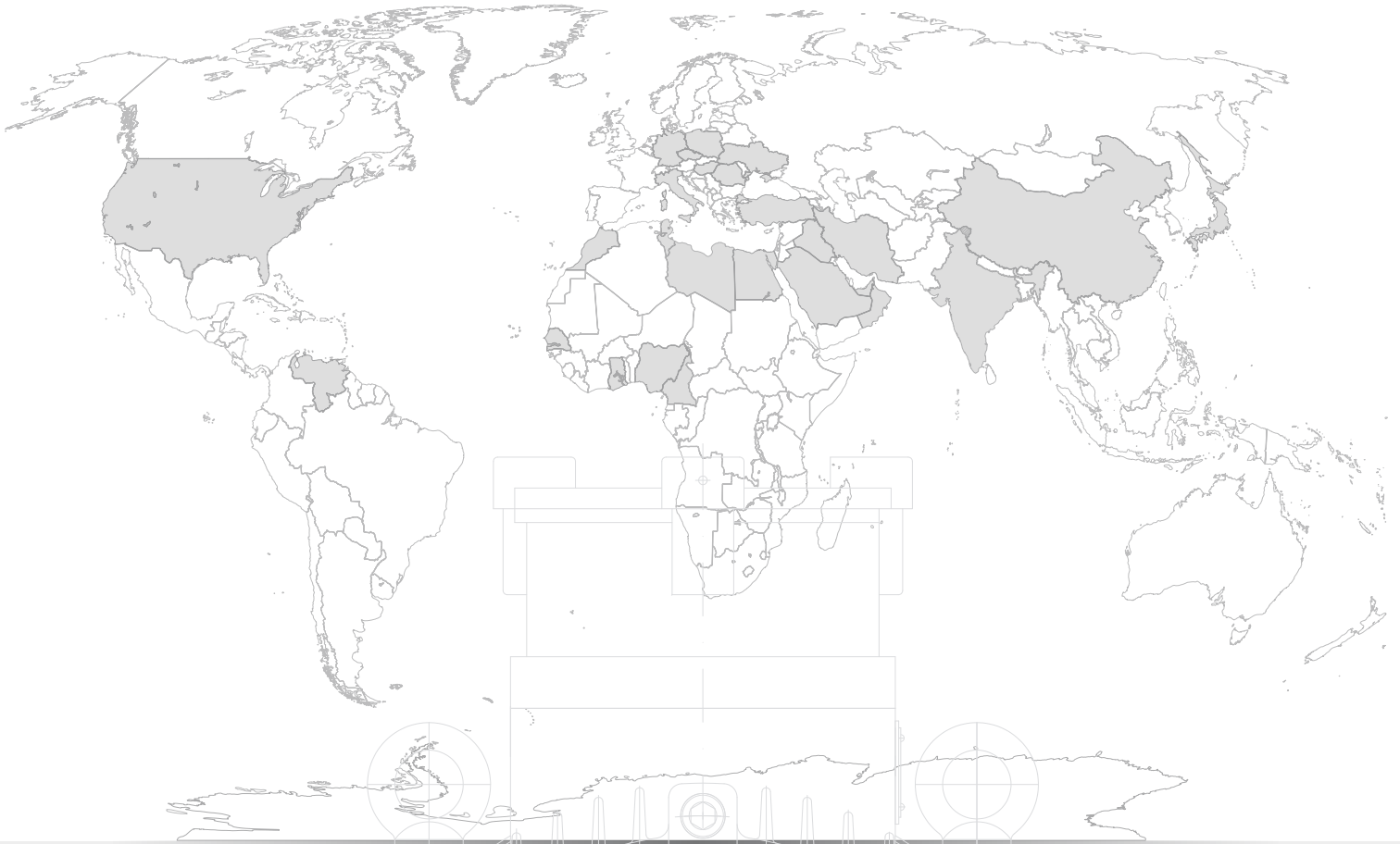


OVERALL AND MOUNTING DIMENSION

Frame Size	Installation Size									Installation Size For B5				Installation Size For B14					Overall Dimension					
	A	B	C	D	E	F	G	H	K	M	N	P	s	T	M	N	P	S	T	AB	AC	AD	HD	L
▼ 56	90	71	36	9	20	3	7.2	56	6	100	80	120	8.5	3	65	50	80	M5	2	112	108	93	149	192
63	100	80	40	11	23	4	8.5	63	7	115	95	140	10	3	75	60	90	M5	2.5	120	120	97	160	211
71	112	90	45	14	30	5	11	71	7	130	110	160	10	3.5	85	70	105	M6	2.5	135	135	107	178	246
80	125	100	50	19	40	6	15.5	80	10	165	130	200	12	3.5	100	80	120	M6	3	155	155	141	221	284
90S	140	100	56	24	50	8	20	90	10	165	130	200	12	3.5	115	95	140	M8	3	175	175	160	250	314
90L	140	125	56	24	50	8	20	90	10	165	130	200	12	3.5	115	95	140	M8	3	175	175	160	250	339
100L	160	140	63	28	60	8	24	100	12	215	180	250	15	4	130	110	160	M8	3.5	200	195	160	260	412
112M	190	140	70	28	60	8	24	112	12	215	180	250	15	4	130	110	160	M8	3.5	226	220	166	278	421

CATALOGUE

OMM1 Single Phase Series Motor



since 1967
ORSATTI
GROUP

OME Electric Motors srl

Sede - Via N. Tartaglia N.6b 25064 Gussago (Bs) Italy - Cod.Fisc. e Partita IVA: 03276210980 - Tel. +39 030 3737072 - Fax. +39 030 2411395 - info@omemotors.com

www.omemotors.com